

Shower trays TESO/O

Acrylic shower tray with panel and legs



UV Resistant



Slip Resistant



Stain Resistant



Easy to Clean and Maintain



International Fire-spread Compliant



Product service



Models:

Shower tray TESO square with panel

Shower tray TESO rectangular with panel

Shower tray TESO semi-circular with panel

Shower tray TESO semi-circular asymmetrical

L/D with panel

Technical information

Material	Model	Dimension [cm]	Weight [kg]	Dimension [cm]	Weight [kg]
100 % sanitary cast acrylic	square with panel	80x80	13 kg	100x100	15 kg
		90x90	14 kg	120x120	22 kg
	Rectangular with panel	90x70	14 kg	120x80	21 kg
		100x70	14,5 kg	130x80	22 kg
		120x70	17 kg	140x80	23 kg
		140x70	21 kg	160x80	27 kg
		160x70	22 kg	100x90	15,5 kg
		120x75	17 kg	110x90	20 kg
		160x75	22,5 kg	120x90	23 kg
		90x80	14 kg	130x90	25 kg
100x80	15 kg	140x90	26 kg		
110x80	13 kg	160x90	30 kg		
semi-circular with panel	80x80	14 kg	100x100	21 kg	
	90x90	18 kg			
semi-circular asymmet. R55 L/R with a panel	90x70	12 kg	120x80	20 kg	
	90x80	14 kg	100x90	16,5 kg	
	100x80	15,5 kg			
Remark:	<ul style="list-style-type: none"> - drainage hole Ø90 - depth 2,5 cm - height with panel 14 cm - shower trays are delivered without siphon 				

Declared properties

Tested properties	Requirement according to the European Standard	Confirmed level
- durability and cleanability	EN 14527:2016 +A1:2018 – 5.2 / 5.3	Pass Class 1
- drainage of water	EN 14527:2016 +A1:2018 – 5.2.2	
- stability of bottom	EN 14527:2016 +A1:2018 – 5.3.2	
- resistance to chemical and staining agents	EN 14527:2016 +A1:2018 – 5.3.3	
- resistance to temperature changes	EN 14527:2016 +A1:2018 – 5.3.4	

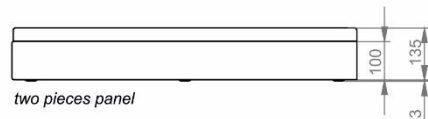
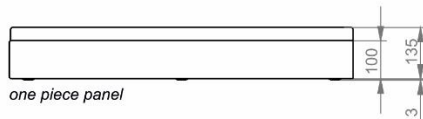
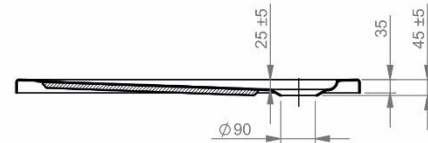
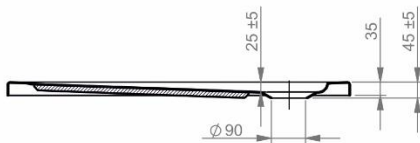
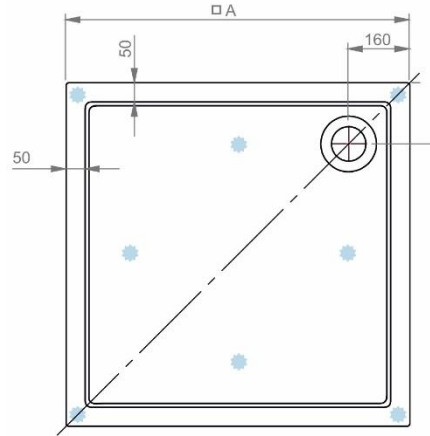
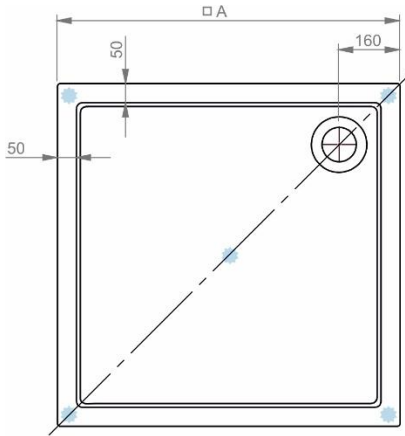
Analysis of possible risks according to EU Regulation 2023/988

Material	Recognized risk	Risk elimination or reducing process	Tests conducted	Relevant EU norm
100 % sanitary cast acrylic	Fulfilling the requirements of the Norm	Testing the product according to the requirements of the relevant standards.	TÜV SÜD Test report No. 713299992-3 from 05.10.2023. Aquaestil Plus Laboratory test report No. TTK-230111 from 11.01.2023.	DIN EN 14527:2019 HRN EN 14527:2016 +A1:2018
	Hygiene and health risk	According to its composition, the product is intended for household use, but not for water consumption	TDS from supplier	EN 263:2008
	Slipperiness of the acrylic surface	When getting in and out of the bathtub, hold on to a solid object or a handrail near the bathtub. Finishing the roughness of the acrylic surface by grinding or anti-slip coating.	Institute IGH d.o.o. 72530-OI-614-24 from 06.06.2024. Slip resistance of the floor covering	HRN EN 16165:2021, addition C (DIN 51097:1992)
	Flammability	Do not leave smoldering or hot objects on the acrylic surface. It is not spontaneously flammable, but it is a flammable material and has no self-extinguishing properties.	TDS from supplier class 3 / class 4	DIN 4102 BS 476 Pt. 7

Technical drawing according to the model:

Position of built in legs

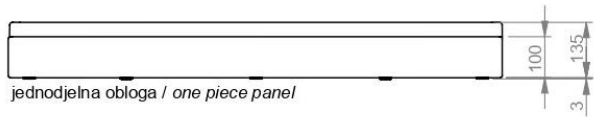
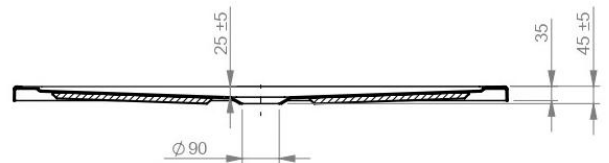
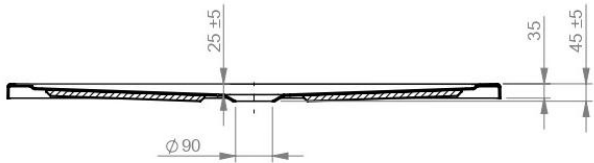
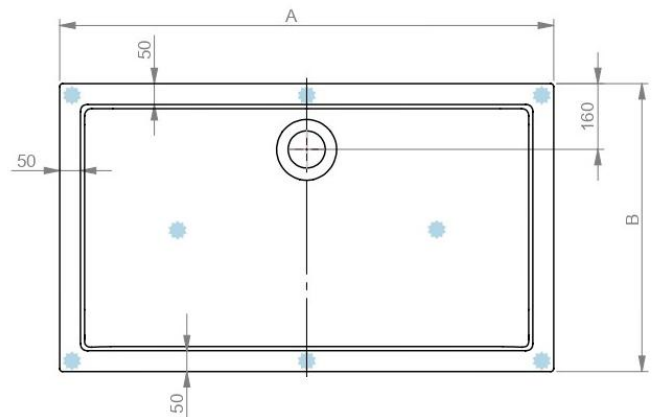
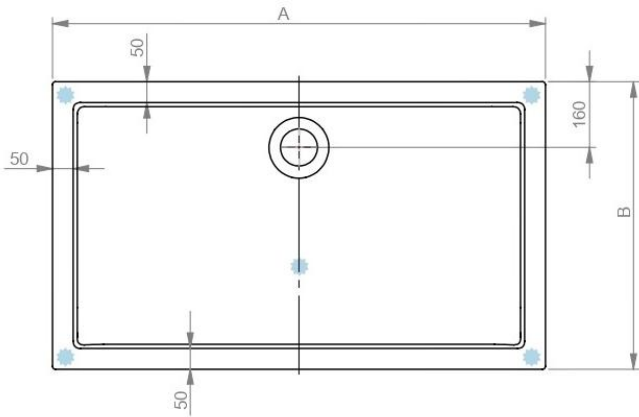
TESO/O SQUARE



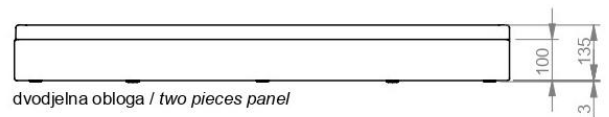
MODEL	A(mm)
80x80	800
90x90	900
100x100	1000

MODEL	A(mm)
120x120	1200

TESO/O RECTANGULAR



jednodjelna obloga / one piece panel



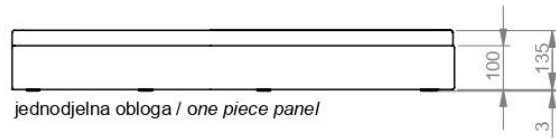
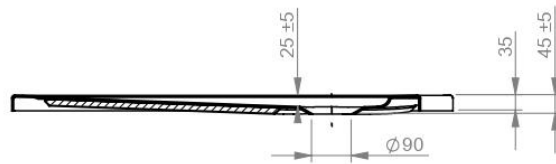
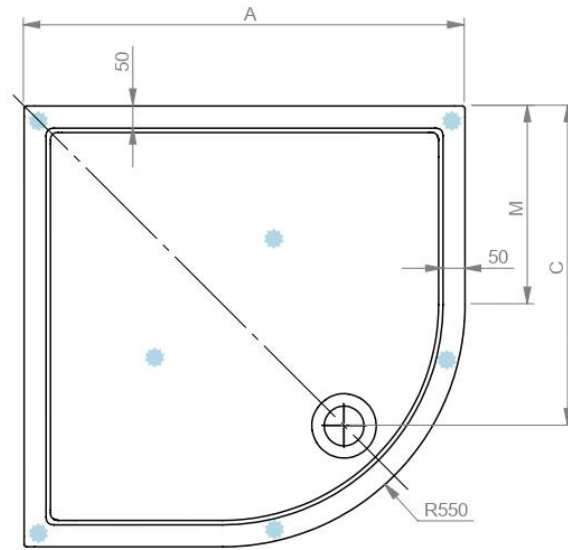
dvodjelna obloga / two pieces panel

MODEL	A(mm)	B(mm)
90x70	900	700
90x80	900	800
100x70	1000	700
100x80	1000	800
100x90	1000	900
110x80 *	1100	800
110x90 *	1100	900

* dvodjelna obloga / two pieces panel

MODEL	A(mm)	B(mm)
120x70	1200	700
120x75	1200	750
120x80	1200	800
120x90	1200	900
130x80	1300	800
130x90	1300	900
140x70	1400	700
140x80	1400	800
140x90	1400	900
160x70	1600	700
160x75	1600	750
160x80	1600	800
160x90	1600	900

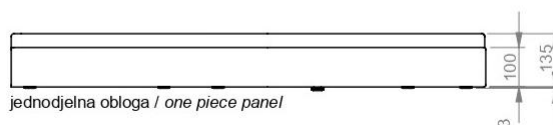
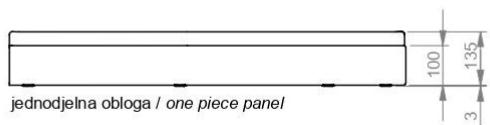
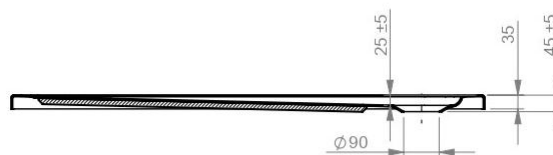
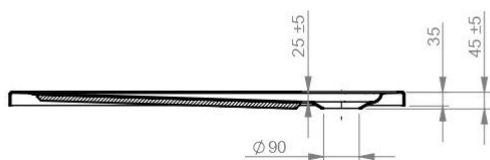
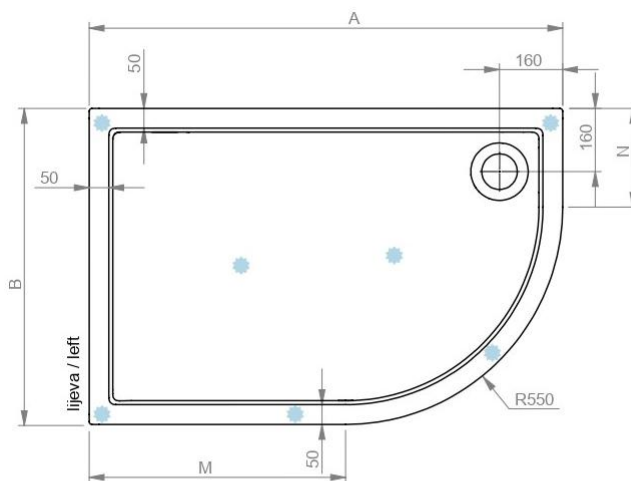
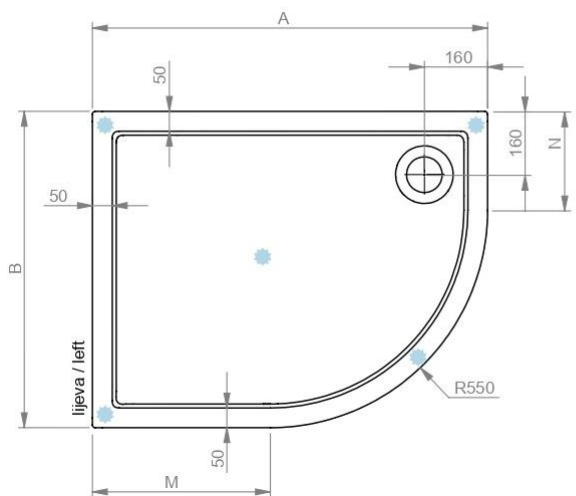
TESO/O SEMI-CIRCULAR



jednodjelna obloga / one piece panel

MODEL	A(mm)	C(mm)	M(mm)
80x80	800	525	250
90x90	900	625	350
100x100	1000	725	450

TESO/O SEMI-CIRCULAR ASYMMETRICAL



MODEL	A(mm)	B(mm)	M(mm)	N(mm)
90x70	900	700	350	160
90x80	900	800	350	250
100x80	1000	800	450	250
100x90	1000	900	450	350

MODEL	A(mm)	B(mm)	M(mm)	N(mm)
120x80	1200	800	650	250